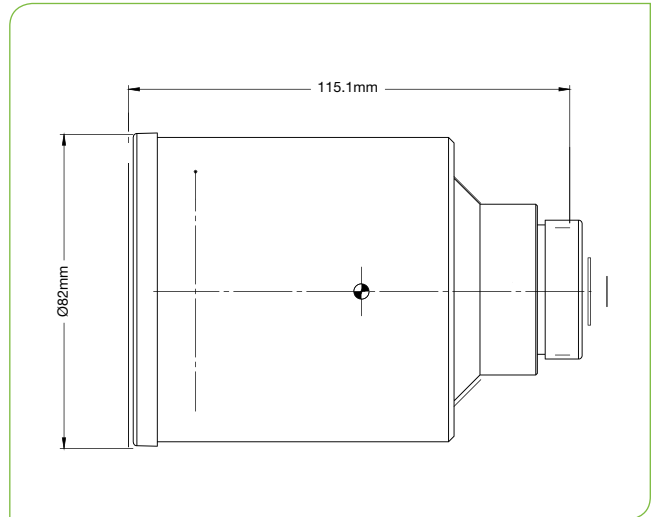


# SupIR 100mm f/1.6, Fixed Athermalized 680026

TYPICAL ICD\*

**HD**  
FORMAT



LWIR | 1-FOV

HFOV	320x240	384x288	640x480	1024x768	1280x1024
17μ	3.1°	3.7°	6.2°	9.8°	
12μ	2.2°	2.6°	4.4°	7.0°	8.7°

Property	Value				
<b>Optical</b>					
Focal Length	100mm				
F#	1.6				
Average transmission (8-12μm)	88% (HC)				
Back Focal Length	21.33mm in air				
<b>Mechanical</b>					
Focus Mechanism	Fixed Focus				
Depth of Field	400m to infinity				
Focus Range	3m to infinity				
Weight	450gr				
Max. Dimensions	Ø82mm x 115.1mm				
<b>Environmental</b>					
Operation Temperature	-10°C to +80°C				
Storage Temperature	-50°C to +85°C				
Sealing	IP 67 front element only				
<b>Configurations</b>	<b>Weight (gr)</b>	<b>Dimensions</b>	<b>BWD**</b>	<b>Thread</b>	<b>Coating</b>
680026-006	450	Ø82mm x 115.1mm	17.6	M34x0.5	HC
680026-007					HD

\* The ICD drawing provided here is primarily a representation and may not accurately reflect the product's actual dimensions and specifications. For precise integration specifications contact your local sales representative.

\*\* The BWD value is calculated for a unique detector setup with varying sealing windows in terms of thickness and material. For more details, contact your local sales representative.